



MAGNASEAL®

SELF-SEALING THREADED PLUGS

Standard plugs, even used with sealing compounds and washers, are prone to spiral leaks. MAGNASEAL® Self-Sealing Plugs have two annular sealing rings that maintain a liquid tight seal even after repeated installation and removal. MAGNASEAL® Self-Sealing Plugs have proven so effective that they eliminate the need for separate sealing washers or sealing compounds, and the dual sealing rings allow multiple removals and reinsertions, up to 10x.



FEATURES

- ▶ Two integral annular sealing rings
- ▶ TORX PLUS® or TORX PARALOBE™ Drive System
- ▶ Can be supplied with or without a magnet

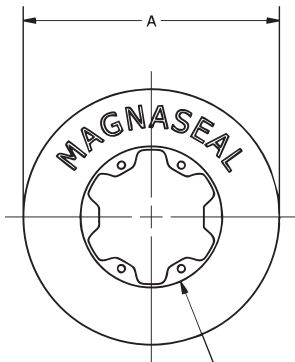
BENEFITS

- ▶ Eliminates spiral leakage
- ▶ High pressure sealing capability
- ▶ Eliminates washers and sealing compounds
- ▶ High torque transfer capability
- ▶ Fully field servicable

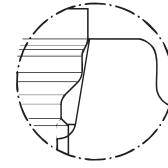
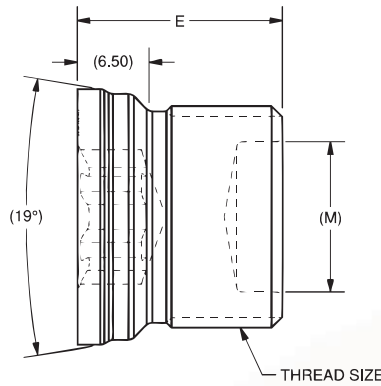
IDEAL APPLICATIONS

- ▶ Drain & Fill Plugs
- ▶ Pneumatics
- ▶ Hydraulic Systems
- ▶ Oil Galleries
- ▶ Access Holes

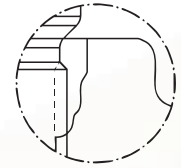




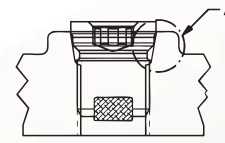
TORX PLUS® OR
TORX PARALOBE™
RECESS



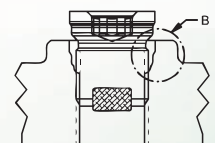
SCALE 3 : 1



SCALE 3 : 1



BEFORE DISPLACEMENT
OF MATERIAL



AFTER SEATED
AND REMOVED

THREAD SIZE	THREAD PITCH	INTERNAL DRIVE SIZE (IP/SI)	A (mm)	E (mm)	M (mm)
			HEAD DIAMETER	OVERALL LENGTH	MAGNET HOLE DIAMETER
M8	1.25	40	10.92	20.70	N/A
			10.82	19.70	
M10	1.50	45	12.92	21.00	N/A
			12.82	20.00	
M12	1.50	45	14.92	20.40	5.50
			14.82	19.40	5.40
M14	1.50	50	16.92	19.90	7.50
			16.82	18.90	7.40
M16	1.50	50	18.92	19.80	8.55
			18.82	18.80	8.45
M18	1.50	55	20.92	19.30	11.50
			20.82	18.30	11.40
M20	1.50	55	22.92	18.80	13.50
			22.82	17.80	13.40
M22	1.50	60	24.92	18.70	15.50
			24.82	17.70	15.40
M24	1.50	60	26.92	18.60	17.50
			26.82	17.60	17.40
M25	1.50	70	27.92	21.00	18.50
			27.82	20.00	18.40
M27	1.50	70	29.92	22.20	20.50
			29.82	21.20	20.40
M28	1.50	70	30.92	23.20	21.50
			30.82	22.20	21.40